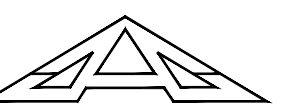


GATES ARCHITECTURAL DESIGN INC.



P.O. BOX 8533
132 LANDING ROAD
LANDING
NEW JERSEY 07850

(973) 398 - 4860
(732) 793 - 8600

This drawing and its contents remain the property of the Architect and can not be used or reproduced without the expressed written permission of the Architect.

PROJECT

SOCIETY HILL
AT PISCATAWAY

NEW MAINTENANCE
BUILDING AT

SOCIETY HILL

550 CHESTERFIELD DRIVE
PISCATAWAY, NEW JERSEY

DATE: 9-26-15

SCALE: NTS

DRAWN BY: DAB

CHECKED: JAG

© 2015 GATES ARCHITECTURAL DESIGN, INC.

JOSEPH A. GATES, N.J. LICENSE NO. 12124
JOSEPH A. GATES, PA. LICENSE NO. RA-014263-B
This drawing not valid for building permits unless signed and sealed by the Architect.

DRAWING TITLE

PLUMBING
SPECS

CDN 12033101

12033

PROJECT NO.

SHEET

P-2

OF

PLUMBING FIXTURES - PROVIDE THE PLUMBING FIXTURES AS SPECIFIED COMPLETE WITH ALL NECESSARY TRIM AND ACCESSORIES INCLUDING BUT NOT LIMITED TO TRAPS, TAILPIECES, ESCUTCHEONS, STRAINERS, WATER SUPPLIES, STOP VALVES, HANGING BRACKETS AND CARRIERS. FIXTURES REQUIRED TO BE BARRIER-FREE SHALL BE MOUNTED AT HEIGHTS AND CLEARANCES AS REQUIRED BY THE APPLICABLE BARRIER-FREE CODES.

PIPING INSTALLATION - MAKE ALL PIPING JOINTS IN ACCORDANCE WITH THE MANUFACTURER'S RECOMMENDATIONS. COPPER TUBING SHALL BE SOLDERED WITH A SUITABLE FLUX AND J.W. HARRIS CO. "STAY-SAFE - 50" LEAD-FREE SOLDER OR APPROVED EQUAL. SOLDER CONTAINING LEAD WILL NOT BE ACCEPTABLE. PROVIDE UNIONS AT ALL PIPING CONNECTIONS WHERE REQUIRED FOR REMOVAL OF EQUIPMENT OR EQUIPMENT COMPONENTS. PROVIDE DIELECTRIC FITTINGS AT ALL JOINTS BETWEEN COPPER AND STEEL PIPING. PROVIDE CHROME-PLATED ESCUTCHEONS WHERE PIPING PENETRATES FINISHED FLOOR, WALL OR CEILING SURFACES. THE ESCUTCHEONS SHALL BE SECURELY FASTENED TO THE ADJOINING STRUCTURE AND SHALL COMPLETELY CLOSE OFF THE SPACE BETWEEN THE PIPE AND THE STRUCTURE.

HANGERS - SECURELY SUPPORT ALL PIPING AND EQUIPMENT ON HANGERS, BRACKETS, SUPPORTS, ETC. AS BEST SUITED TO THE INSTALLATION CONDITIONS. DO NOT HANG WITH BAND IRON, CHAINS, OR FROM ANY OTHER PIPING. ALL HANGERS AND SUPPORTS SHALL BE CAPABLE OF SCREW ADJUSTMENT AFTER PIPING IS ERECTED. HANGERS SHALL BE THE SAME MATERIAL AS THE PIPING SERVED; NO DISSIMILAR METALS SHALL BE IN CONTACT. IN GENERAL, HANGERS SHALL BE SPACED NOT MORE THAN 10'-0" APART FOR PIPING 1-1/2" AND LARGER AND NOT MORE THAN 6'-0" APART FOR PIPING LESS THAN 1-1/2"; HANGERS FOR PVC AND OTHER TYPES OF THERMOPLASTIC PIPING SHALL NOT BE SPACED GREATER THAN 4'-0" APART. ALL SUPPORTING COMPONENTS SHALL BE PROPERLY FASTENED TO BUILDING STRUCTURAL MEMBERS.

PIPING INSULATION - PROVIDE 1/2" THICK SCHULLER MICRO-LOK FIBERGLASS PIPE INSULATION WITH ALL PURPOSE JACKET, AND ZESTON 2000 PVC PRE-FORMED FITTING COVERS, OR APPROVED EQUAL, ON ALL HOT AND COLD WATER MAINS, RISERS AND BRANCH PIPING. PROVIDE INSULATED FITTING COVERS, TRUBRO OR EQUAL FOR EXPOSED HOT WATER AND DRAIN PIPING BENEATH BARRIER-FREE LAVATORIES. ALL INSULATION AND ACCESSORIES SHALL HAVE FIRE AND SMOKE HAZARD RATINGS AS TESTED UNDER PROCEDURE ASTM E-84, NOT EXCEEDING FLAME SPREAD 25, SMOKE DEVELOPED 50 AND HOT SURFACE PERFORMANCE TESTS IN ACCORDANCE WITH ASTM C411 WITH 2500F MINIMUM TEST TEMPERATURE. INSULATION SHALL BE APPLIED IN ACCORDANCE WITH THE MANUFACTURERS' RECOMMENDATIONS, ON CLEAN, DRY SURFACES ONLY AFTER ALL REQUIRED TESTS AND APPROVALS HAVE BEEN COMPLETED.

EXCAVATION AND BACKFILL - THE PLUMBING CONTRACTOR SHALL DO ALL EXCAVATION OF EARTH THAT IS REQUIRED FOR THE INSTALLATION OF HIS WORK. INCLUDE ALL NECESSARY BACKFILLING, GRADING AND REMOVAL OF SURPLUS EARTH. KEEP ALL EXCAVATIONS PUMPED CLEAR OF WATER, AND ABIDE BY ALL O.S.H.A. AND OTHER APPLICABLE SAFETY STANDARDS AND REQUIREMENTS. WET OR UNSTABLE SOIL SHALL BE REMOVED AND PROPERLY BACKFILLED WITH SAND OR OTHER APPROVED MATERIAL. BACKFILLING OF ALL LINES SHALL BE CAREFULLY DONE WITH CLEAN EARTH OR OTHER APPROVED MATERIAL, PROPERLY COMPACTED IN 6-INCH LAYERS.

CLEANING - ALL SYSTEMS SHALL BE COMPLETELY CLEANED PRIOR TO TESTING AND PLACING THE SYSTEMS IN OPERATION. ALL DEBRIS SHALL BE REMOVED FROM THE SITE AND LEGALLY DISPOSED OF. ALL WORK AREAS SHALL BE LEFT IN A CLEAN CONDITION ACCEPTABLE TO THE ARCHITECT, ENGINEER AND OWNER'S REPRESENTATIVE.

TESTING - ALL WORK SHALL BE TESTED BY THE PLUMBING CONTRACTOR. ALL MATERIAL, LABOR, AND EQUIPMENT SHALL BE FURNISHED BY THE PLUMBING CONTRACTOR TO ACCOMPLISH SUCH TESTS AS ARE REQUIRED BY THE ARCHITECT, ENGINEER, OWNER'S REPRESENTATIVE, CODE OFFICIALS OR ANY OTHER AUTHORITY HAVING JURISDICTION.

GUARANTEE - UPON COMPLETION OF THE WORK AND BEFORE APPLYING FOR FINAL ACCEPTANCE, FURNISH A WRITTEN GUARANTEE, STATING THAT THE WORK COMPLIES WITH THE PROVISIONS OF ALL APPLICABLE CODES AND ENFORCING AUTHORITIES AND THAT IT WILL BE FREE FROM DEFECTS OF MATERIAL AND WORKMANSHIP FOR ONE YEAR FROM DATE OF ACCEPTANCE BY THE OWNER. THE GUARANTEE SHALL FURTHER STATE THAT THE PLUMBING CONTRACTOR SHALL, AT HIS OWN EXPENSE, REPAIR AND/OR REPLACE ANY OF HIS MATERIAL AND WORK WHICH MAY BECOME DEFECTIVE DURING THE TIME OF THE GUARANTEE TOGETHER WITH OTHER WORK DAMAGED AS A CONSEQUENCE OF SUCH DEFECTS. AN ITEM BECOMES "DEFECTIVE" WHEN IT CEASES TO PERFORM OR CONFORM TO THE CONTRACT DOCUMENTS AND SPECIFICATIONS.

ACCESSIBILITY - THE PLUMBING CONTRACTOR SHALL LOCATE ALL ITEMS WHICH MUST BE SERVICED, OPERATED, OR MAINTAINED IN FULLY ACCESSIBLE POSITIONS. IF REQUIRED FOR BETTER ACCESSIBILITY, FURNISH ACCESS DOORS FOR THIS PURPOSE. WHERE WORK IS CONCEALED, THE PLUMBING CONTRACTOR SHALL BE RESPONSIBLE FOR ITS PROPER INSTALLATION TO ASSURE IT DOES NOT PROJECT BEYOND FINISHED LINES OF FLOORS, CEILINGS OR WALLS.

ELECTRICAL - THE PLUMBING CONTRACTOR SHALL COORDINATE WITH THE ELECTRICAL CONTRACTOR TO VERIFY THE CORRECT ELECTRICAL CHARACTERISTICS FOR ALL PLUMBING EQUIPMENT PRIOR TO ORDERING THE EQUIPMENT. FURNISH ALL NECESSARY POWER AND CONTROL WIRING DIAGRAMS TO THE ELECTRICAL CONTRACTOR. ALL ELECTRICAL EQUIPMENT AND MATERIAL SHALL BE APPROVED AND LABELED BY UNDERWRITERS' LABORATORIES, INC.

SEISMIC RESTRAINTS - PROVIDE ALL NECESSARY BRACING, SUPPORTS, VIBRATION ISOLATORS AND APPURTENANCES REQUIRED FOR INSTALLATION OF EQUIPMENT AND PIPING IN ACCORDANCE WITH THE REQUIREMENTS IN THE LATEST ADOPTED EDITION OF THE INTERNATIONAL BUILDING CODE 2009.

SANITARY DRAINAGE SYSTEM - PROVIDE A COMPLETE SYSTEM OF SANITARY DRAINAGE, WASTE AND VENT PIPING TO ALL FIXTURES AND EQUIPMENT AS REQUIRED. DRAINAGE AND WASTE PIPING BURIED BELOW GRADE OR CONCEALED BEHIND WALLS SHALL BE PVC-PLASTIC PIPE AND FITTINGS ASTM D2665-91LB. DRAINAGE, WASTE AND VENT PIPING LOCATED IN AIR HANDLING PLENUMS SHALL BE CAST IRON SOIL PIPE AND FITTINGS; HUBLESS TYPE CISPI 301-90, ASTM A888-90. NOTE THAT PLASTIC PIPE AND FITTINGS SHALL NOT BE INSTALLED IN AIR HANDLING PLENUMS. INSTALL THE BUILDING SANITARY SEWER LINE TO THE POINT OF CONNECTION OR TERMINATION AS SHOWN ON THE DRAWINGS. DRAINAGE LINES SHALL BE PROPERLY PITCHED AND CLEANOUTS SHALL BE PROVIDED. ALL VENT LINES SHALL BE CONCEALED UNLESS OTHERWISE INDICATED. INSTALL ALL NECESSARY FLASHINGS FOR ROOF PENETRATIONS.

WATER PIPING - PROVIDE A COMPLETE SYSTEM OF COLD WATER AND HOT WATER PIPING TO ALL FIXTURES AND EQUIPMENT AS REQUIRED. COLD AND HOT WATER PIPING SHALL BE TYPE "L" SEAMLESS COPPER TUBING; ASTM B88-B9 WITH CAST COPPER FITTINGS; ANSI B16.22-1989. INSTALL SHUT OFF VALVES ON ALL BRANCH CONNECTIONS AT FIXTURES AND EQUIPMENT. INSTALL WATER HAMMER ARRESTORS WHERE REQUIRED. WHERE REQUIRED BY THE ADMINISTRATIVE AUTHORITY, POTABLE WATER SYSTEMS SHALL BE DISINFECTED IN ACCORDANCE WITH THE REQUIREMENTS OF THE NATIONAL STANDARD PLUMBING CODE 2009, CHAPTER 10, 10.9.

WATER SERVICE - THE PLUMBING CONTRACTOR SHALL MAKE ALL NECESSARY ARRANGEMENTS WITH THE LOCAL WATER COMPANY FOR THE NEW WATER SERVICE. INCLUDE ALL FEES, ROAD OPENING PERMITS AND BONDS, METER CHARGES, TAP CHARGES, ETC. THAT ARE REQUIRED. APPROVED TYPE BACKFLOW PREVENTERS WITH FULL SIZED, VALVED BYPASS PIPING AND DRAIN PIPED TO AN INDIRECT CONNECTION SHALL BE PROVIDED WHERE REQUIRED BY APPLICABLE CODES AND REGULATIONS. PROVIDE A PRESSURE REDUCING VALVE AND RELIEF VALVE PIPED TO AND INDIRECT DRAIN CONNECTION WHEN THE WATER MAIN PRESSURE EXCEEDS 80 PSI. VERIFY THE AVAILABLE MAXIMUM PRESSURE WITH THE LOCAL WATER COMPANY. INSTALL THE UNDERGROUND PIPING REQUIRED FROM THE BUILDING TO THE POINT OF CONNECTION OR TERMINATION AS SHOWN ON THE DRAWINGS.

COMPRESSED AIR PIPING - PROVIDE A COMPLETE SYSTEM OF COMPRESSED AIR PIPING TO ALL LOCATIONS AND EQUIPMENT AS REQUIRED. PIPING SHALL BE TYPE "L" SEAMLESS COPPER TUBING; ASTM 888-B9 WITH CAST COPPER FITTINGS; ANSI B16.22-1989. INSTALL SHUT OFF VALVES ON ALL BRANCH CONNECTIONS. INSTALL AIR COMPRESSORS, FILTERS AND DRIERS FURNISHED BY OTHERS..

VALVES - THE NECESSARY VALVES SHALL BE INSTALLED WITHIN THE SYSTEM TO PROVIDE THE REQUIRED FLOW CONTROL SERVICE; TO ALLOW ISOLATION FOR INSPECTION, MAINTENANCE, REPAIR AND REMOVAL OF EQUIPMENT, FIXTURES AND PIPING.

GAS PIPING - INSTALL GAS PIPING IN ACCORDANCE WITH THE REQUIREMENTS OF THE INTERNATIONAL FUEL GAS CODE 2009 AND THE GAS UTILITY COMPANY REQUIREMENTS. PIPING SHALL BE SCHEDULE 40 BLACK STEEL PIPE ASTM A53 WITH MALLEABLE IRON SCREWED FITTINGS ASTM B16.3 OR WELDED FITTINGS ASME B16.9. WELDING SHALL BE DONE IN ACCORDANCE WITH AMERICAN WELDING SOCIETY STANDARDS. PIPING EXPOSED TO OUTDOOR CONDITIONS SHALL BE PROTECTED WITH A WEATHERPROOF COATING. TO MEET JOB CONDITIONS, PIPING SHALL BE SET UP AND DOWN WHERE REQUIRED. PROVIDE SHUTOFF COCKS AND UNIONS AT ALL CONNECTIONS TO EQUIPMENT. THE PLUMBING CONTRACTOR SHALL VERIFY THE AVAILABLE GAS PRESSURE WITH THE GAS UTILITY COMPANY PRIOR TO ORDERING GAS FIRED HEATING EQUIPMENT AND APPLIANCES. THE CONTRACTOR SHALL PROVIDE PRESSURE REGULATORS, MAXITROL OR EQUAL, FOR EQUIPMENT REQUIRING LOW PRESSURE IF THE GAS SYSTEM IS A HIGHER PRESSURE THAN THE EQUIPMENT CAN UTILIZE. ALL GAS PIPING SHALL BE TESTED BY THE PLUMBING CONTRACTOR IN ACCORDANCE WITH THE REQUIREMENTS OF THE GAS UTILITY COMPANY AND ANY OTHER AUTHORITY HAVING JURISDICTION.

PLUMBING SPECIFICATIONS

DESCRIPTION OF WORK - THE PLUMBING CONTRACTOR SHALL FURNISH ALL LABOR, MATERIALS, EQUIPMENT, APPLIANCES, TOOLS AND ACCESSORIES REQUIRED FOR PROVIDING, INSTALLING, CONNECTING AND TESTING ALL PLUMBING SYSTEMS AND ASSOCIATED EQUIPMENT IN ACCORDANCE WITH THESE SPECIFICATIONS AND THE APPLICABLE DRAWINGS. IN GENERAL THE WORK INCLUDES, BUT IS NOT LIMITED TO THE FOLLOWING: PLUMBING FIXTURES, SANITARY, WASTE AND VENT PIPING, HOT AND COLD WATER PIPING, GAS PIPING, INSULATION, EXCAVATION AND BACKFILL.

EXAMINATION REQUIREMENTS - THE PLUMBING CONTRACTOR SHALL CAREFULLY EXAMINE THE SITE, DRAWINGS AND SPECIFICATIONS TO DETERMINE THE COMPLETE SCOPE OF WORK AND BE INFORMED OF THE EXISTING CONDITIONS PRIOR TO SUBMITTING HIS BID PROPOSAL. THE PLUMBING CONTRACTOR WILL NOT BE ENTITLED TO EXTRA MONETARY COMPENSATION RESULTING FROM HIS ERRORS OR OVERSIGHTS DURING HIS EXAMINATION.

DRAWINGS - THE DRAWINGS ARE INTENDED TO SHOW THE GENERAL ARRANGEMENT AND THE EXTENT OF THE WORK TO BE DONE. HOWEVER, THE EXACT LOCATION AND ARRANGEMENT OF ALL COMPONENTS SHALL BE DETERMINED AS WORK PROGRESSES. BECAUSE OF THE SMALL SCALE USED FOR THE DRAWINGS, ALL REQUIRED OFFSETS, MODIFICATIONS, ETC. AS MAY BE REQUIRED TO CLEAR STRUCTURAL WORK, WORK OF OTHER CONTRACTORS, OR OTHER OBSTRUCTIONS, MAY NOT BE SHOWN. THE PLUMBING CONTRACTOR, HOWEVER, SHALL PROVIDE ALL NECESSARY OFFSETS, MODIFICATIONS, ETC. AS REQUIRED TO COMPLETE THE INSTALLATION AT NO ADDITIONAL COST. THE PLUMBING CONTRACTOR SHALL BE RESPONSIBLE TO INSTALL ALL ITEMS, ACCESSORIES, AUXILIARY SYSTEMS, ETC. CALLED FOR IN THESE SPECIFICATIONS WHETHER OR NOT SHOWN AS DETAILS ON THE DRAWINGS. ALL ITEMS NOT SPECIFICALLY MENTIONED IN THE SPECIFICATIONS OR NOTED ON THE DRAWINGS, BUT WHICH ARE NECESSARY TO MAKE A COMPLETE WORKING INSTALLATION, SHALL BE INCLUDED.

DIMENSIONS - NO WORK SHALL BE EXECUTED FROM DIMENSIONS OBTAINED BY SCALING ANY DRAWINGS. EXACT DIMENSIONS, WHERE NEEDED, SHALL BE OBTAINED FROM ACTUAL FIGURES ON THE ARCHITECTURAL DRAWINGS AND SHALL BE SUPPLEMENTED BY VERIFICATION OF MEASUREMENTS AT THE SITE. THE PLUMBING CONTRACTOR SHALL VERIFY ALL DIMENSIONS, ELEVATIONS AND FIELD CONDITIONS BEFORE STARTING WORK AND SHALL NOTIFY THE ARCHITECT, ENGINEER OR OWNER'S REPRESENTATIVE OF ANY DISCREPANCIES. IF NO DISCREPANCIES ARE BROUGHT TO THEIR ATTENTION, THE PLUMBING CONTRACTOR ASSUMES FULL RESPONSIBILITY.

DEFINITIONS - WHERE THE WORDS "FURNISH", "SUPPLY", "PROVIDE" OR "INSTALL" ARE MENTIONED INDIVIDUALLY OR IN COMBINATION, THEY SHALL BE INTERPRETED TO MEAN "FURNISH AND INSTALL", "SUPPLY AND INSTALL" OR "PROVIDE AND INSTALL" UNLESS OTHERWISE NOTED.

CODES - THE INSTALLATION OF WORK UNDER THIS CONTRACT SHALL BE DONE IN FULL ACCORDANCE WITH REQUIREMENTS OF ALL AGENCIES AND AUTHORITIES HAVING JURISDICTION; ALL APPLICABLE CODES INCLUDING BUT NOT LIMITED TO THE LATEST ADOPTED EDITIONS OF THE NEW JERSEY STATE UNIFORM CONSTRUCTION CODE, INTERNATIONAL BUILDING CODE 2015, ASHRAE/IESNA 90.1-2013 ENERGY CONSERVATION CODE, NATIONAL STANDARD PLUMBING CODE 2009, APPLICABLE NATIONAL FIRE PROTECTION ASSOCIATION CODES, INTERNATIONAL FUEL GAS CODE 2015, BARRIER FREE REQUIREMENTS, O.S.H.A. AND THE LOCAL UTILITY COMPANIES' REQUIREMENTS.

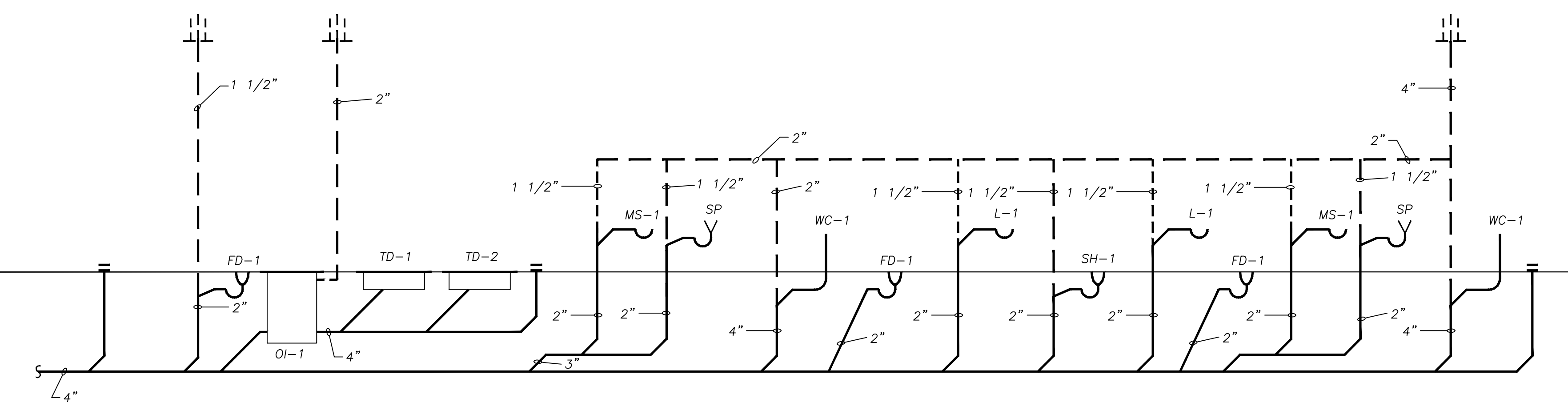
PERMITS - THE PLUMBING CONTRACTOR SHALL OBTAIN AND PAY FOR ALL REQUIRED PERMITS, ETC. ALL WORK SHALL BE INSPECTED AND APPROVED BY THE AUTHORIZED INSPECTION OFFICIAL BEFORE THE SYSTEMS ARE PUT INTO SERVICE. A CERTIFICATE OF APPROVAL SHALL BE DELIVERED TO THE OWNER'S REPRESENTATIVE UPON COMPLETION OF THE WORK.

SHOP DRAWINGS - FURNISH SHOP DRAWINGS FOR ITEMS INCLUDING BUT NOT LIMITED TO PLUMBING FIXTURES, HOSE BIBS, WATER HEATERS, PUMPS, CLEANOUTS, INSULATION AND SPECIALTY ITEMS. IF THE CONTRACTOR FAILS TO SUBMIT SHOP DRAWINGS TO THE ENGINEER FOR APPROVAL, THE PLUMBING CONTRACTOR ASSUMES FULL RESPONSIBILITY FOR THE PROPER FIT, FUNCTION, ETC., FOR ALL ITEMS EVEN IF THEY ARE THE TYPES SPECIFIED.

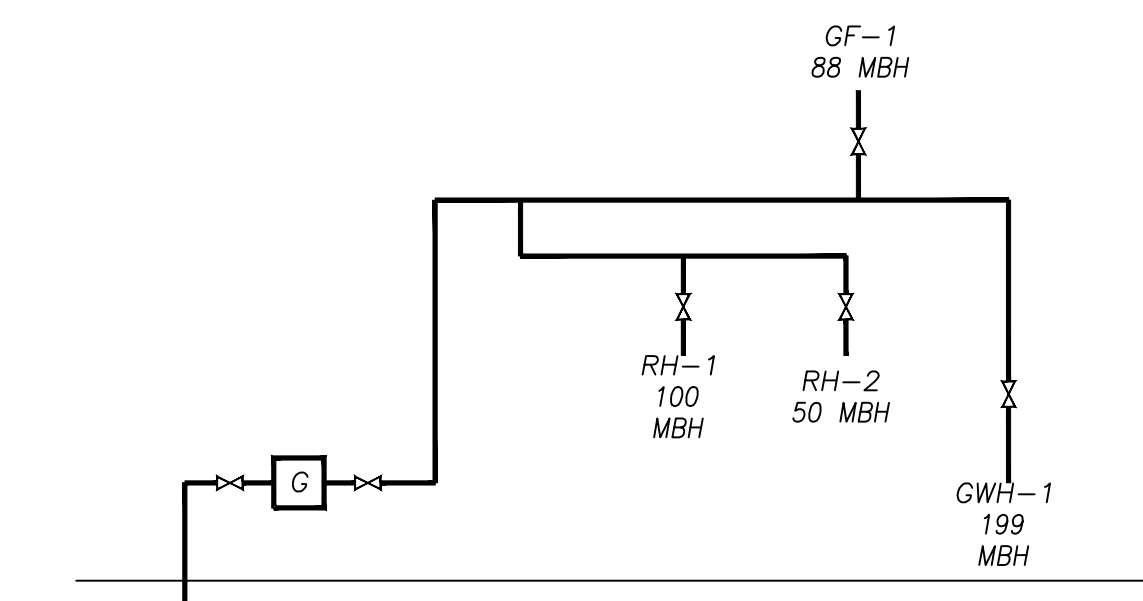
COORDINATION - ARRANGE ALL PIPING FOR PLUMBING SYSTEMS TO CLEAR ALL DUCTWORK, OTHER PIPING, ELECTRICAL CONDUIT, ETC. AND COOPERATE WITH OTHER TRADES FOR SPACE UTILIZATION WHERE MULTIPLE SERVICES OCCUR. COORDINATE FINAL LOCATIONS OF ALL PLUMBING ITEMS WITH THE ARCHITECTURAL DRAWINGS, THE OWNER'S REQUIREMENTS AND AS DIRECTED BY THE ARCHITECT, ENGINEER OR OWNER'S REPRESENTATIVE AT THE JOB SITE DURING CONSTRUCTION. THE PLUMBING CONTRACTOR SHALL GIVE FULL COOPERATION TO OTHER TRADES AND SHALL FURNISH INFORMATION NECESSARY TO PERMIT THE WORK OF ALL TRADES TO BE INSTALLED SATISFACTORILY AND WITH THE LEAST POSSIBLE INTERFERENCE OR DELAY. COORDINATE STRUCTURAL SUPPORT REQUIREMENTS FOR WATER HEATERS AND OTHER EQUIPMENT, FIXTURE BLOCKING, PIT SIZES, ETC. WITH THE GENERAL CONTRACTOR.

PLUMBING FIXTURE SCHEDULE

TYPE	FIXTURE	MANUFACTURER	MODEL NUMBER	DESCRIPTION	FL. DEVICE/FAUCET/OTHER	NOTES	REMARKS
WC-1	WATER CLOSET	AMERICAN STD.	2467.016	CADET RIGHT HEIGHT EL.	PR. ASSIST., 1.6 GPF TANK	1,2	
L-1	LAVATORY	AMERICAN STD.	0321.026	19"x17" DECLYN WALL HUNG	RELIANT 7385.003 FAUCET	1	WALL HANGER SUPPORT
MS-1	SINK	FLORESTONE	FM	24"x24" MOLDED TYPE WITH LEGS	AMERICAN STANDARD 7573.240 FAUCET		WITH VACUUM BREAKER
FD-1	FLOOR DRAIN	SMITH	2010	C.I. BODY SQUARE	NICKEL BRONZE STRAINER		1/2" TRAP PRIMER CONNECTION
TD-1,2	TRENCH DRAIN	ACO	K100S	TRENCH DRAIN SYSTEM	GALVANIZED STEEL SLOTTED GRATE		
WH-1	WALL HYDRANT	SMITH	5509 QT.	NON-FREEZE	BRONZE NICKEL PLATED		VACUUM BREAKER S.S. BOX
HB-1	HOSE BIB	WOODFORD	#24	INDOOR HOSE BIB	ANTI-SIPHON VACUUM BREAKER		CHROME PLATED FRONT & COVER
VR-1	VACUUM RELIEF	WATTS	N36	VACUUM RELIEF VALVE			
TX-1	EXP. TANK	WATTS	DETA-5	THERM-X-EXP. TANK			
BFP-1	BACKFLOW PREVENTER	WATTS	LF 909 QTS.	BACKFLOW PREVENTER	B. VALVES, STRAINER, 909 AG		3/4"-2" PIPE SIZE
TV-1	TEMPERING VALVE	BRADLEY	S59-4000A	THERMOSTATIC MIXING VALVE	1/2" INLETS, 1/2" OUTLETS, 0.5-3 GPM		SET AT 110° F
OI-1	OIL INTERCEPTOR	MIFAB	MIG-HU-4	OIL INTERCEPTOR	75 GPM, 125 GALLON STORAGE		INTEGRAL OIL STORAGE
GWH-1	WATER HEATER	---	---	---	199 MBH INPUT		HIGH EFFICIENCY

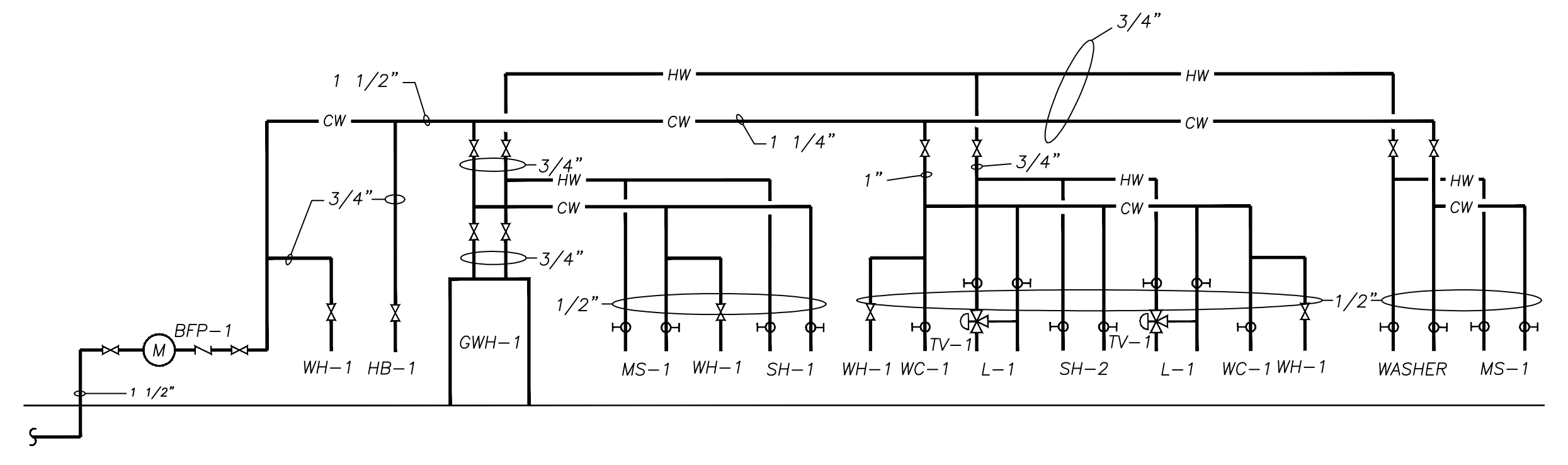


SANITARY RISER DIAGRAM
NOT TO SCALE

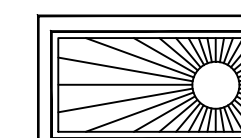


GAS RISER DIAGRAM

SIZED AS PER INTERNATIONAL FUEL GAS CODE TABLE 402.4(1)
FOR 100 FT. MAXIMUM RUN, 0.3 P.D.
NOT TO SCALE



WATER RISER DIAGRAM
NOT TO SCALE



PRO-ENERGY DESIGN
207 North Main Street
MANVILLE, NJ 08835
OFFICE # (908) 231-8679 FAX # (908) 429-9421
Philip A. LaBue, Jr., P.E.
NJ PROFESSIONAL ENGINEER 26265
NJ C.O.A. 24GA28157800

DRAWN BY: APS
CHECKED BY: PAL
PROJECT NO. 15057

CDN 12033101

12033

PROJECT NO.

SHEET

P-2

OF