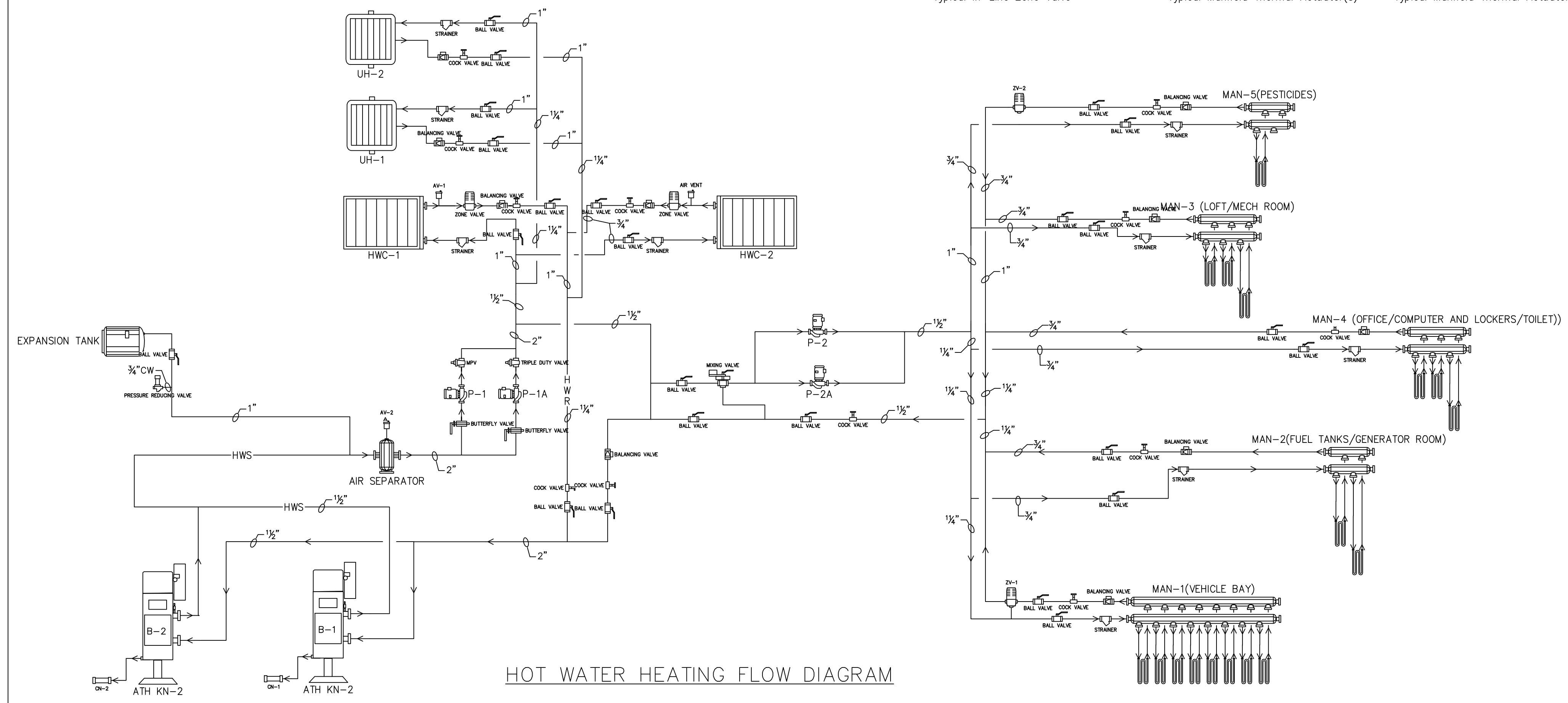
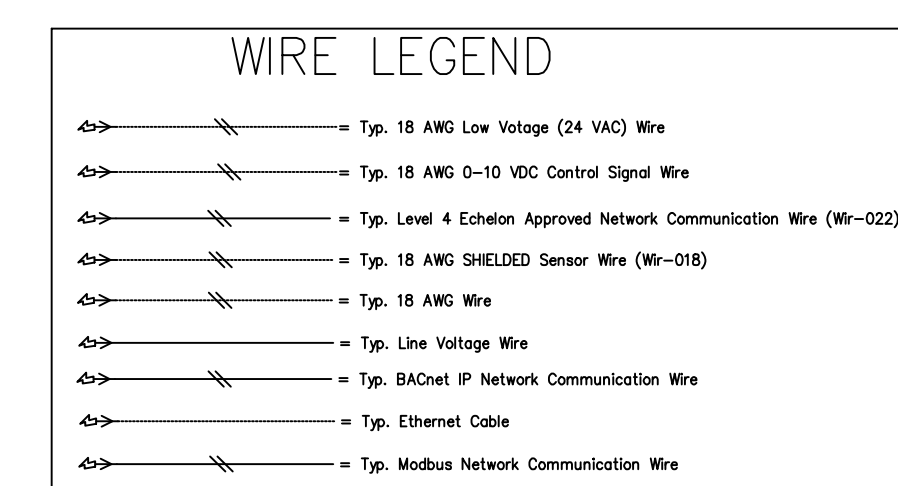


iWorx Network Controller(s) Wiring Overview

General iWorx Network Controller(s) Point List Overview



HOT WATER HEATING FLOW DIAGRAM



- NOTES:**
- All iWorx controller MUST be properly grounded.
 - iWorx controller power source (transformer) MUST also be properly grounded.
 - All 18 AWG shielded cable wiring used for sensor(s) MUST be properly grounded.
 - 10k Ohm field supplied resistors MUST be installed on Any/All open zone sensor inputs.
 - Controller jumper placements must be configured PRIOR to installing power.
 - Network communication wire MUST be 22 AWG Echelon approved Level 4 wire (WR-022)
 - Maximum iWorx LON communication wire (WR-022) length: 1,640 feet.
 - Should project requirements exceed the maximum total network wire limitations, a LON signal repeater will be required
 - Port(s) 11000 & 11001 must be forwarded by the building IT manager for remote access to the LCI
 - As well as network Port(s) 1911 & 3011 for the GCI (where applicable).
 - Typical ethernet cables, router and network hardware BY OTHERS.
 - GCI gateway integration MUST be performed by a Niagara AX certified professional.
 - The installer MUST review all iWorx product installation and application manuals prior to installation of material(s)

ENGINEERS SEAL

Omdex Incorporated
Consulting Engineers

21 Cross Avenue
Hudson Park, N.Y.
(201) 444-0755 FAX (201) 444-0839

Brian W. Paschnick, PE
NY #48111 NY #9385 PA #30706527

Milton A. Azous, PE
NY #21057 NY #48388 PA #9021488
CT #10884 TN #44942

Edward J. Cialto PE
NY #26166 NY #70102 VA #10607 DE #11776
MA #1827 Conn #17088 PA #90288 OH #951920
Miss #08769 Mass #33615-IV #33809-R
#33634-M NC #18976 SC #20205 NH #6942

PROJECT: SOCIETY HILL AT PISCATAWAY

TITLE: MECHANICAL SCHEDULES & DETAILS

DRAWN BY:	GB/LN	REVISIONS:	
SCALE:	AS NOTED		
DATE:	2017.11.9		
DRAWING #:			

M-3