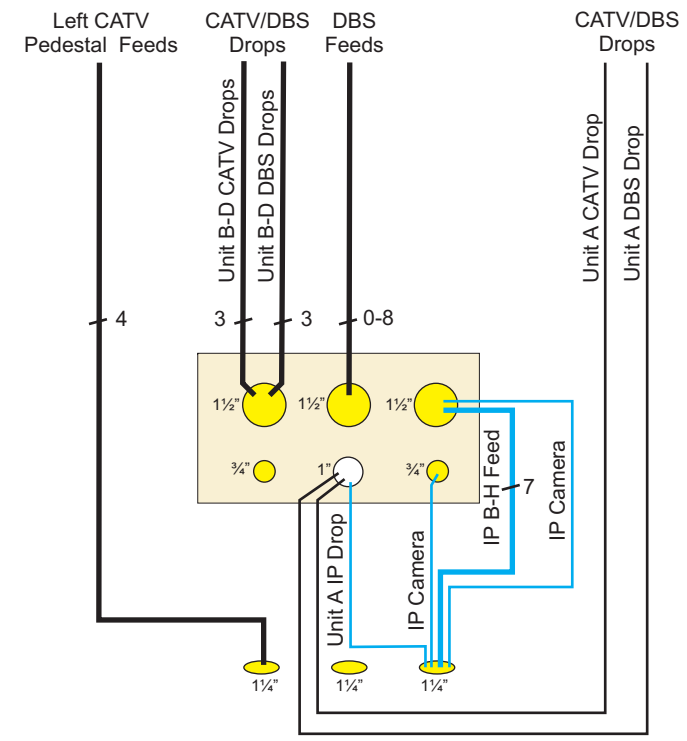
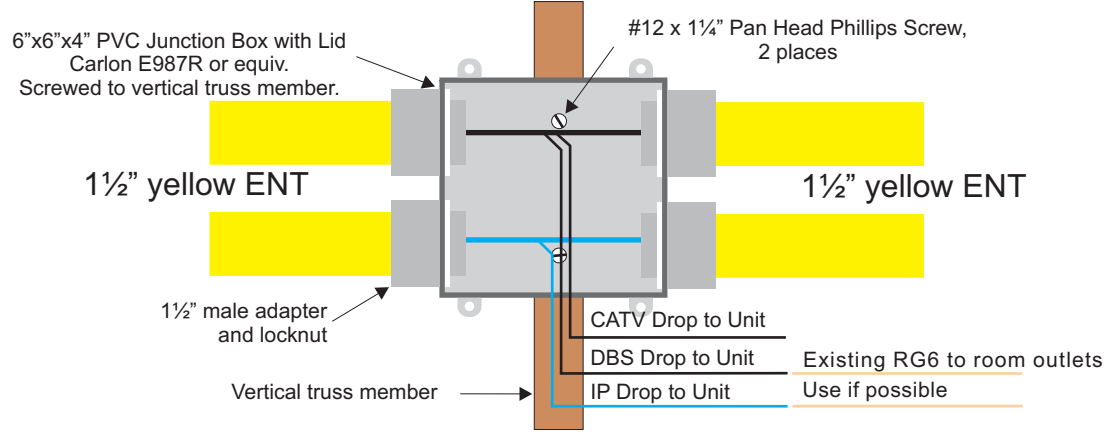


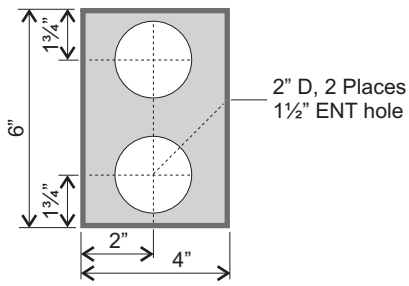
Left Neutral Area



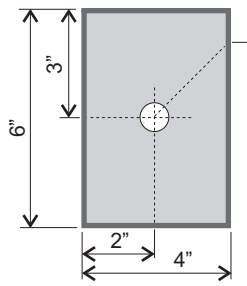
Units B Through G Drop Box



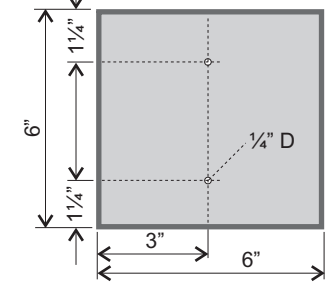
Left and Right Side View



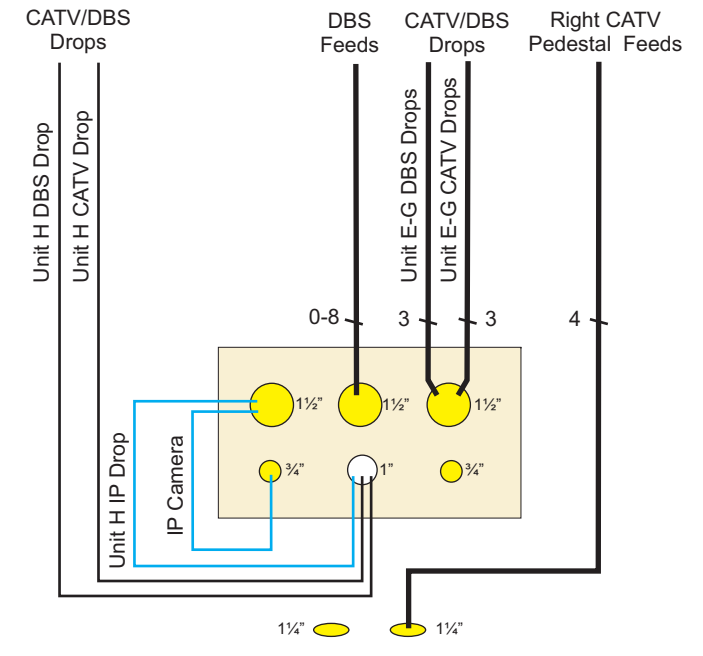
Bottom View



Back View



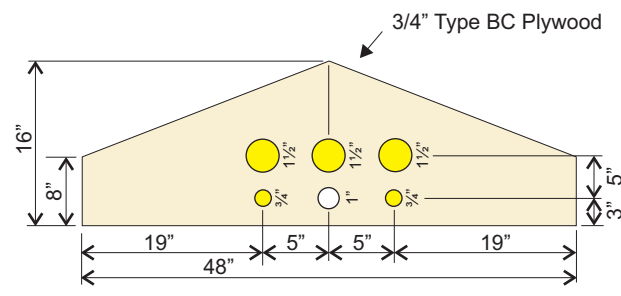
Right Neutral Area



CABLE LEGEND

- RG6 Coaxial Cable Remeer R001563WR/M2B Type CMR, 3GHz, or equiv.
- CAT6 Ethernet Cable Remeer 6R234UTPM20 Type CMR, or equiv.
- RG6 Coaxial Cable, Belden 9116

Neutral Board Dimensions



NOTE 1 - All ENT to be fastened approximately every 4' when practical.
NOTE 2 - All firewall penetrations to be sealed. See Raceway Details, sheet 8.
NOTE 3 - All holes in neutral board to be labeled with destination of raceway.

2-Story Townhouse Building Raceways Attic View and Neutral Areas

Sheet: 2 of 18	Rev: 2	Drawn By: KW	May 4, 2013
Size: B	Scale: NTS	Tolerances:	
H:\Documents\SocietyHillCommRaceways\TownhouseAttic.cdr			



550 Chesterfield Drive
Piscataway, NJ 08854
732-463-3434
management@societyhillpiscataway.com