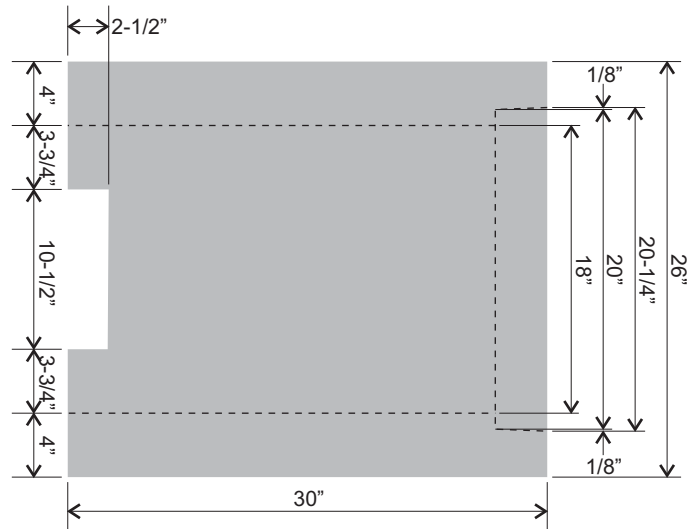
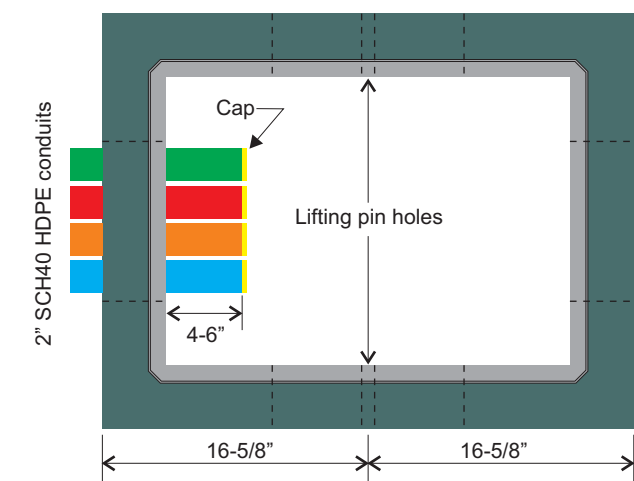


Greenway Junction Box

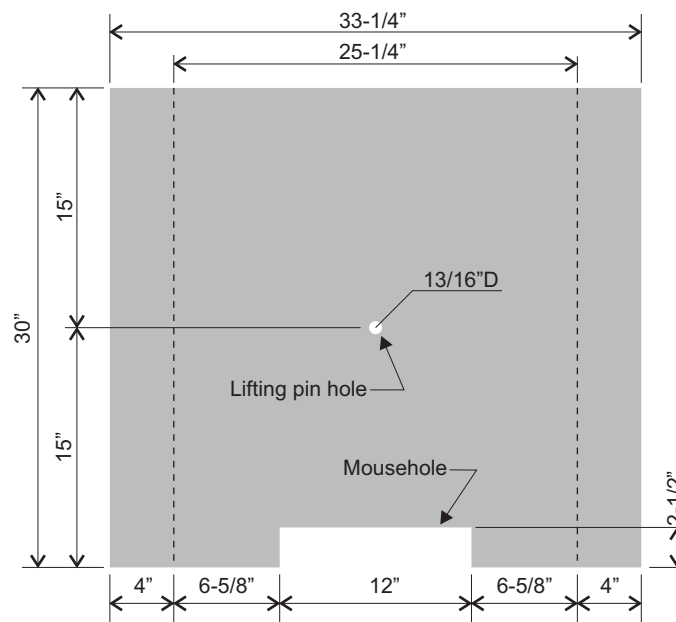
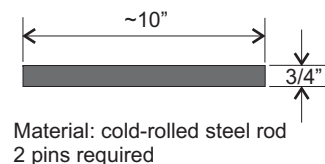
Total Greenway Box and Lid Volume
 = Outer box volume minus inner void volume minus mousehole volume
 = $(26" \times 33.25" \times 30") - (25.25" \times 18" \times 30") - 2 \times (4" \times 12" \times 2.5") - 2 \times (4" \times 10" \times 2.5")$
 = $25,935 \text{ in}^3 - 12,158 \text{ in}^3 - 2 \times 120 \text{ in}^3 - 2 \times 100 \text{ in}^3$
 = $13,337 \text{ in}^3$
 = 7.72 ft^3

Mix ratio is 9½ buckets of ¾" clean stone, 6 buckets of mason sand, 4 buckets type 1 portland cement, 6 ounces Nycon XL-M1 fiber, and approximately 1½ buckets of water. One 5-gallon bucket holds approximately 0.78 ft³ of material.

Exposed top and sides of junction box and top of lid to be painted either green or brown, depending on final location of box.
 Green Sportmaster Redi-mix, *Forrest Green*
 Brown Sportmaster Redi-mix, *Brown*



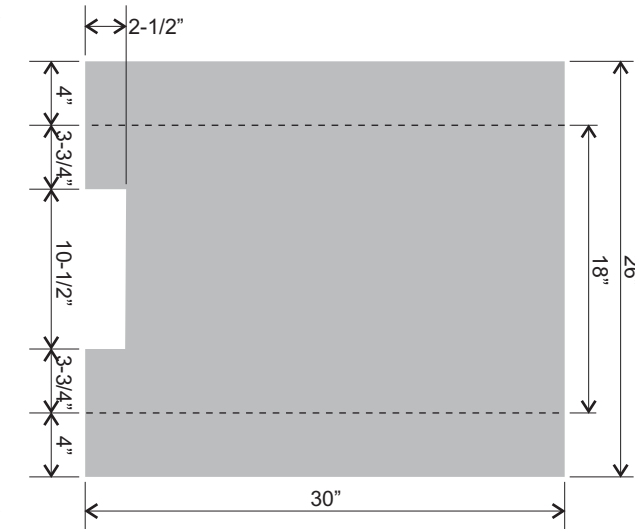
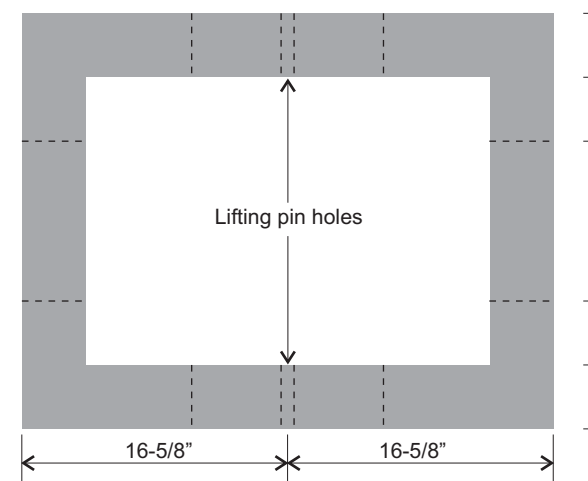
Lifting Pin Detail



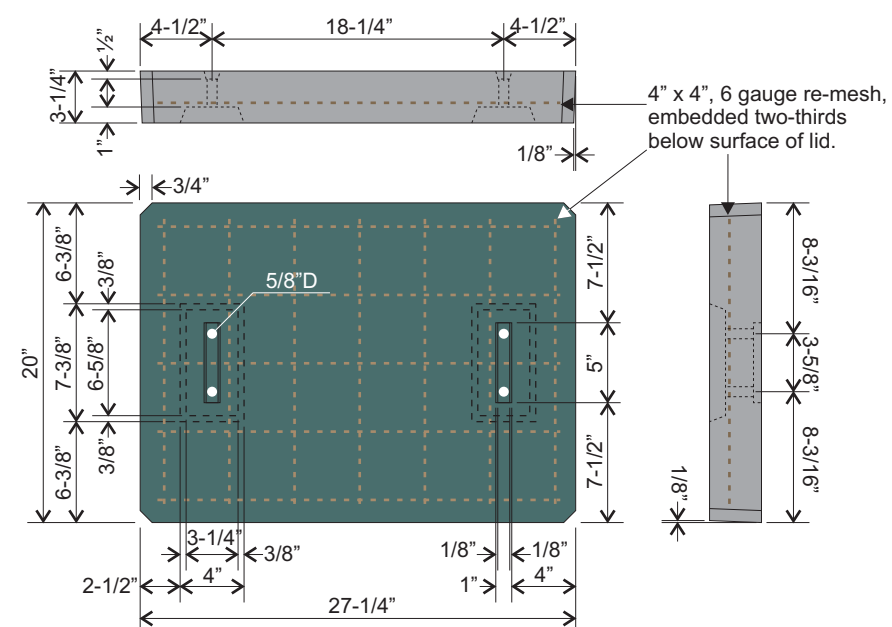
Roadway Junction Box

Total Roadway Box Volume
 = Outer box volume minus inner void volume minus mousehole volume
 = $(26" \times 33.25" \times 30") - (25.25" \times 18" \times 30") - 2 \times (4" \times 12" \times 2.5") - 2 \times (4" \times 10" \times 2.5")$
 = $25,935 \text{ in}^3 - 13,635 \text{ in}^3 - 2 \times 120 \text{ in}^3 - 2 \times 100 \text{ in}^3$
 = $11,860 \text{ in}^3$
 = 6.86 ft^3

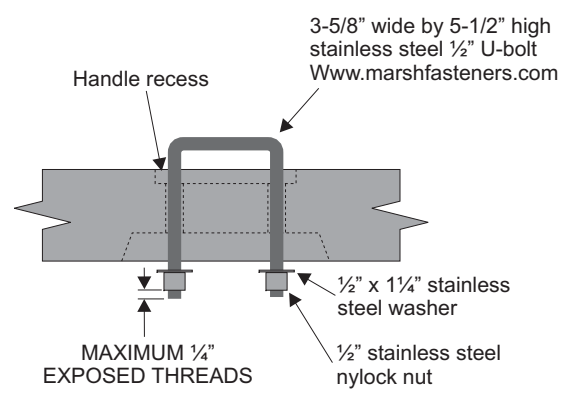
Mix ratio is 8 buckets of ¾" clean stone, 5 buckets of mason sand, 3½ buckets type 1 portland cement, 6 ounces Nycon XL-M1 fiber, and approximately 1¼ buckets of water. One 5-gallon bucket holds approximately 0.78 ft³ of material.



Greenway Lid

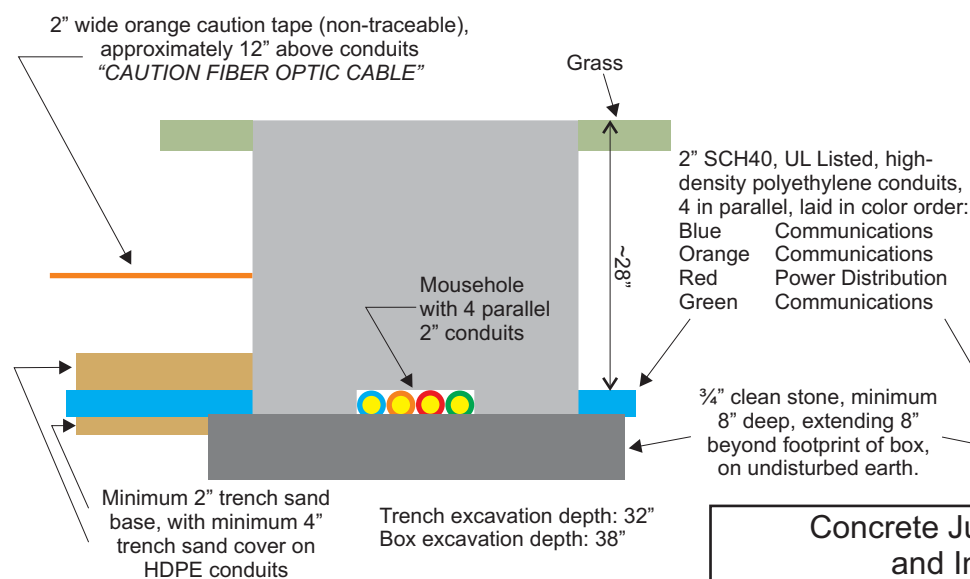


Lid Handle Detail



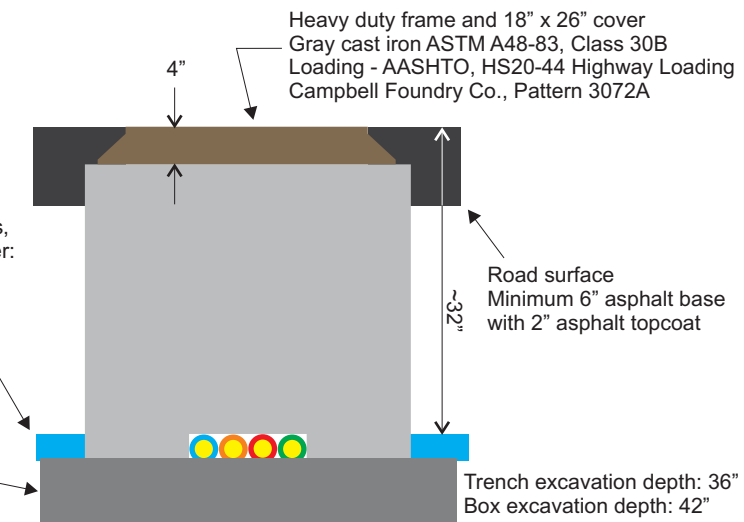
NOTE 1 - Washer and nut must recess in 1" deep cavity. Do not leave more than three exposed threads (about ¼") beyond nut.

Greenway Installation



NOTE 2 - All trench backfill to be compacted.
 Main township roads - DGA backfill, compacted in 3" lifts
 Internal roads and greenways - soil backfill, compacted in 6" lifts.
 NOTE 3 - All unused conduits to be capped in junction box to prevent debris ingress. Duraline(?) 1-903974

Roadway Installation



Concrete Junction Boxes and Lids and Installation Details

Sheet: 10 of 18	Rev: 1	Drawn By: KW	May 18, 2013
Size: B	Scale: NTS	Tolerances:	
H:\Documents\SocietyHillCommRaceways\JunctionBox.cdr			



550 Chesterfield Drive
 Piscataway, NJ 08854
 732-463-3434
 management@societyhillpiscataway.com